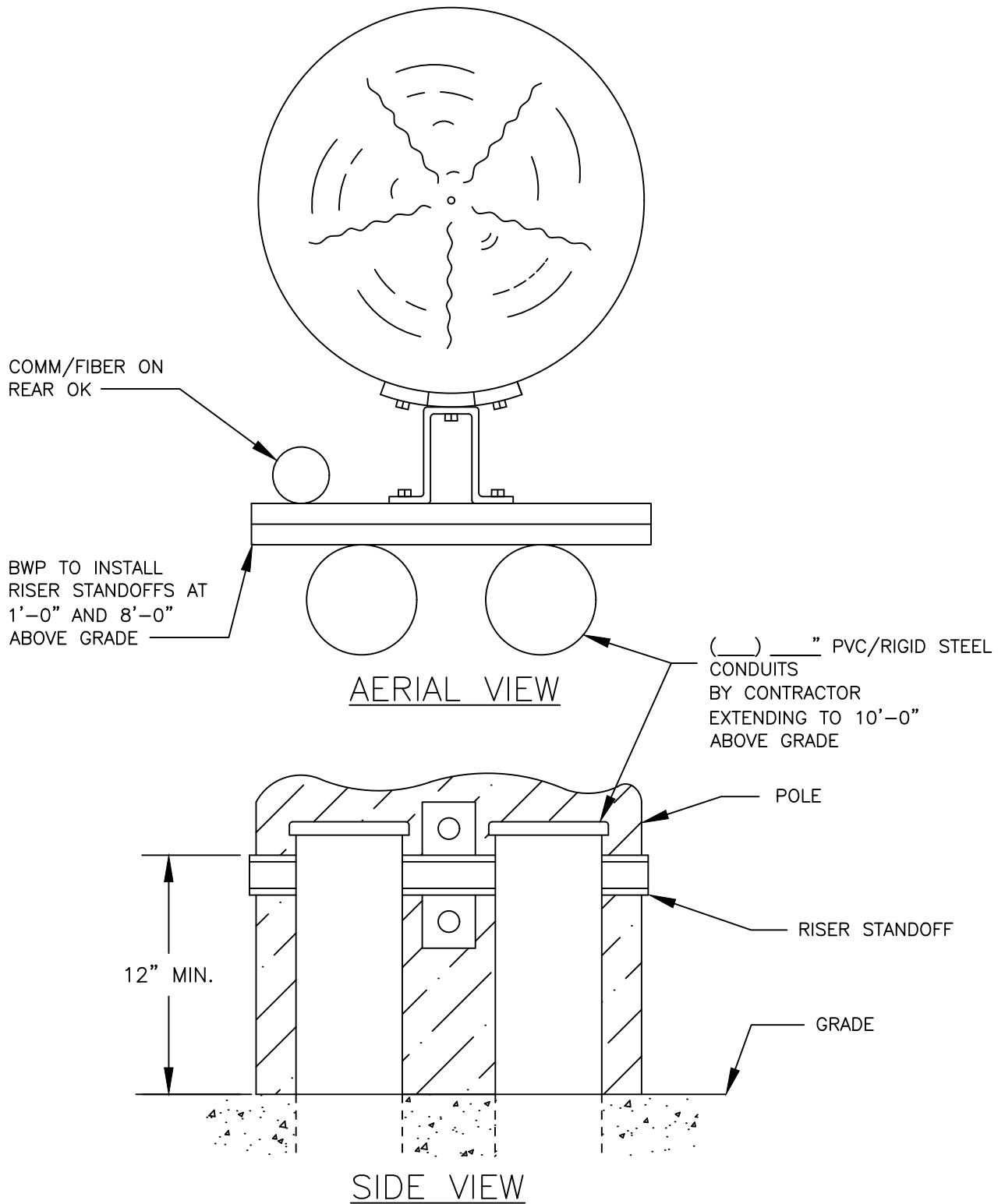


POLE LOCATION _____

POLE NUMBER _____



No.	REVISIONS	BY	APPR'V'D	DATE
B	STANDARDIZED FORMATTING/COMBINE S-706/713	MEP	CJC	5/9/23
A	CHANGED STANDOFF HEIGHTS	DSL	DDB	4/28/03



BURBANK WATER AND POWER – ELECTRIC SERVICES

RISER DETAIL

DRAWING No. **S-706B**

Sheet 1 of 1